



\$690
Model Shown

**LCCP1 Series
COMPRESSION**

0 to 30,000 lb
0 to 133,000 N

1 Newton = 0.2248 lb
1 daNewton = 10 Newtons
1 lb = 454 g
1 t = 1000 kg = 2204 lb

- ☑ All Stainless Steel Construction
- ☑ High Accuracy 0.5% FSO
- ☑ Heavy Duty Construction for Oil Field Environment
- ☑ Built-in Break-away Cable Assembly

The LCCP1 Series Platform Load Cell is a heavy duty through hole load cell specially designed for oil well pump-off units. Features include a 1.63" diameter through hole to accommodate the pump rod, special strain relief and break-away protection on the electrical cable and customized mounting brackets. The all stainless steel construction and rugged design gives the LCCP1 high accuracy and high reliability even in the harsh oil well environment.

**For Sales and Service
In U.S.A. and Canada**

1-800-872-3963SM
1-800-USA-DYNE

**International Customers Dial
(614) 965-9340**
24-Hour FAX (614) 965-9438

OMEGADYNESM FAX

OMEGADYNE's 24-Hour
On-Line Publishing Service

1-800-344-3963SM
1-800-DIG-DYNE

Document # 3643

OMEGADYNE, Inc.

149 Stelzer Court, Sunbury, OH 43074

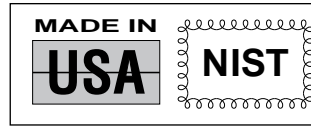
<http://www.omegadyne.com>

e-mail: info@omegadyne.com



Formerly
T-HYDRONICS, INC.

© COPYRIGHT 1996 OMEGADYNE, INC. ALL RIGHTS RESERVED.



SPEC SHEET

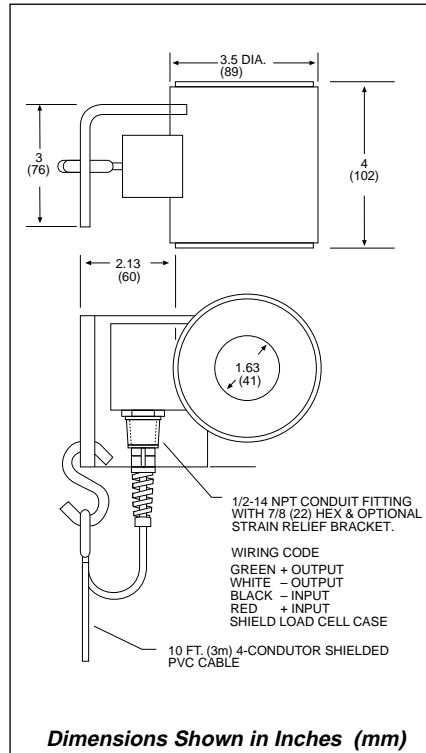
LCCP1

*Interchangeable with
Model TH-CP1*

THROUGH HOLE LOAD CELL
for Oil Well Pump-Off Units



Model LCCP1-30K \$690
Shown Smaller than Actual Size



Dimensions Shown in Inches (mm)

SPECIFICATIONS:

Output: 2 mV/V ± 1%

Excitation: 10 V ac/dc (15V Max)

Accuracy: 0.5% FSO Linearity, Hysteresis and Repeatability Combined

Zero Balance: ± 1.0% FSO

Operating Temp. Range: -40 to 79°C (-40 to 175°F)

Compensated Temp. Range: 16 to 71°C (60 to 160°F)

Thermal Effects:

Zero: ±0.005% FSO/°F

Span: ±0.002% Rdg/°F

Safe Overload: 200% of Capacity

Ultimate Overload: 300% of Capacity

Bridge Resistance: 700 ohms nominal

Construction: 17-4 PH Stainless Steel

Electrical: 10 ft (3m) 4-conductor shielded PVC Cable.

**Custom units
available - Contact
our Custom
Engineering
Department**

◀ **Most Popular Models Highlighted** ▶

Prices Shown in U.S. Dollars

To Order: (Specify Model Number)

Capacity (lb)	Model Number	Price	Compatible Meters
0-30,000	LCCP1-30K	\$690	INFW, INFS, INFCS

Interchangeable with Model TH-CP1

Metric Ranges Available-Consult Engineering.

Ordering Example: 1.) LCCP1-30K is a 30,000 lb capacity load cell with 10 ft (3m) cable, \$690.

Printed On Recycled Paper

